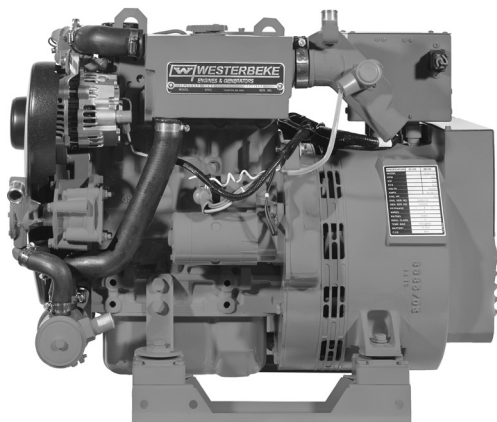
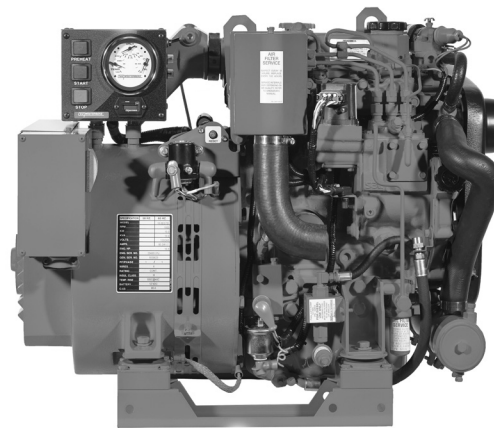




## A truly “quiet breed” of reliable power



10.0/7.5 EGTD Diesel Generator



10.0/7.5 EGTD Diesel Generator

### Powerful & Reliable

Powered by a lightweight, rugged “industrial engine,” the 10.0 EGTD continues to support the strong record of reliability Westerbeke has built supplying product to the United States Navy and Coast Guard as well as commercial vessels and pleasure craft world-wide. The 10.0 EGTD’s robust 1.32 liter engine provides additional capacity to manage some momentary motor loads that may “bog down” similar generator sets limited by engine power.

### Smooth, Quiet Operation

The 10.0 EGTD provides 3-cylinder smoothness and a tuned air intake silencer for quiet, slow speed operation. In addition, standard electronic governing maintains the engine at a constant speed virtually eliminating “droop” when load is applied.

### Longer Life and Easier Maintenance

The engine operates at a low 1800-rpm and is fresh water cooled, via heat exchanger, for longevity. The generator windings are NEMA class “H” insulated and double vacuum epoxy impregnated to increase protection against the harsh marine environment. Easy access servicing points and individually removable top and side panels of the optional sound enclosure contribute to easier maintenance.

### Full Torque, Power Take-Off Interface

A customer sourced, electric clutch and hydraulic pump can be mounted to the full torque, power take-off interface for use with such items as bow or stern thrusters, compressors, winches and emergency “get home” systems.

### Five Year Limited Warranty

This generator set is backed by Westerbeke’s 5-year limited warranty. The presence of Westerbeke in over 65 countries around the world provides customers with easy access to parts, service and technical support word-wide. Established in 1937, Westerbeke is committed to providing its customers with quality products and unequalled after sales support.

### Standard Features

- Instrument panel with safety stop switch
- Remote start/stop plug-in connection
- Electronic governing
- Safety shut-downs: overspeed, underspeed, low battery voltage and low oil pressure, high exhaust and high coolant temperature
- A.C. circuit breaker (single phase)
- 50 amp battery charging alternator
- Power take-off interface
- Self-bleeding fuel system
- Fresh water cooling and coolant recovery tank
- 45 degree water injected exhaust elbow
- Gear driven raw water pump
- Tuned air intake silencer
- Anti-vibration mounts - fail safe rubber type
- Lube oil drain hose and drip tray
- Oil fill - top and side
- Belt guard
- Operators’ manual and parts list
- 5 year limited warranty
- Meets CARB & U.S. EPA regulations

### Instrument Panel



### Generator Design

**DESIGN:** Brushless, four pole, revolving, power takeoff.  
**VOLTAGE REGULATION:** Standard +/- 5% no load to full load.  
**FREQUENCY REGULATION:** .5 Hz (.6%) no load to full load.  
**INSULATION:** Class "H" as defined by NEMA MG1-1.65.

**TEMPERATURE RISE:** Within NEMA MG1-22.40 definition when operating at full load.  
**COOLING:** Cast centrifugal blower, direct connected.  
**ELECTROMAGNETIC INTERFERENCE LEVEL:** Exceeds requirements for most marine radio-telephones and standard TVs.

Model	Electrical Characteristics				Ratings			Engine	
	Volts	Amps	Hertz	Phase	Wire	Power Factor	KW	RPM	Start
10.0 EGTD-614	120/240	83.3/41.6	60	1	4	1.0	10.0	1800	Remote
7.5 EGTD-514	230	32.6	50	1	4	1.0	7.5	1500	Remote

Three phase units are available at these ratings.

### Specifications

Number of cylinders	3 Cylinder vertical in-line	
Type	4 cycle	
Displacement	80.43 cu. in. (1.318 liter)	
Bore and stroke	3.07" x 3.62" (78.0 mm x 92.0 mm)	
Compression ratio	22:1	
Rated rpm @ 60/50Hz	1800/1500	
HP @ 1800 rpm	19 Standby / 17 Prime	
Maximum angle of operation	15 continuous, 30 intermittent	
Exhaust elbow connection	2" OD (50.8mm)	
Raw water connection	1" OD (25.4mm)	
Dry weight	522 lbs. (236.8 kg) approx.	
Combustion system	Swirl type	
Aspiration	Naturally aspirated	
Lubrication system	Forced lubrication by trochoid pump	
Cooling system	5 quarts (4.7 liters)	
Starting aid	12 volt sheathed type glow plug	
Fuel consumption (approx.)	1800 rpm	1500 rpm
100% load GPH (LPH)	1.06 (4.0)	0.79 (3.0)
75% load GPH (LPH)	0.82 (3.1)	0.62 (2.3)
50% load GPH (LPH)	0.62 (2.4)	0.47 (1.8)
25% load GPH (LPH)	0.44 (1.7)	0.35 (1.3)
Fuel injection pump	Bosch type	
Governor	Electronic	
Injectors	Throttle type	
Fuel Filter	Primary and secondary	
Fuel transfer pump	12 volt electric type	
Fuel supply and return piping	1/4" ID (6.35 mm) minimum 3/8" ID (9.53 mm) maximum	

Lube oil filter	Full flow, spin-on element
Lubricant capacity	4.0 quarts (3.8 liters)
Starting motor	12 volt, solenoid, actuated shift
Alternator	50 amps (12 volts)
Cranking amps	240 @ 69 degrees F
Electrical system	12 volts DC, negative ground

### Construction – Engine Components

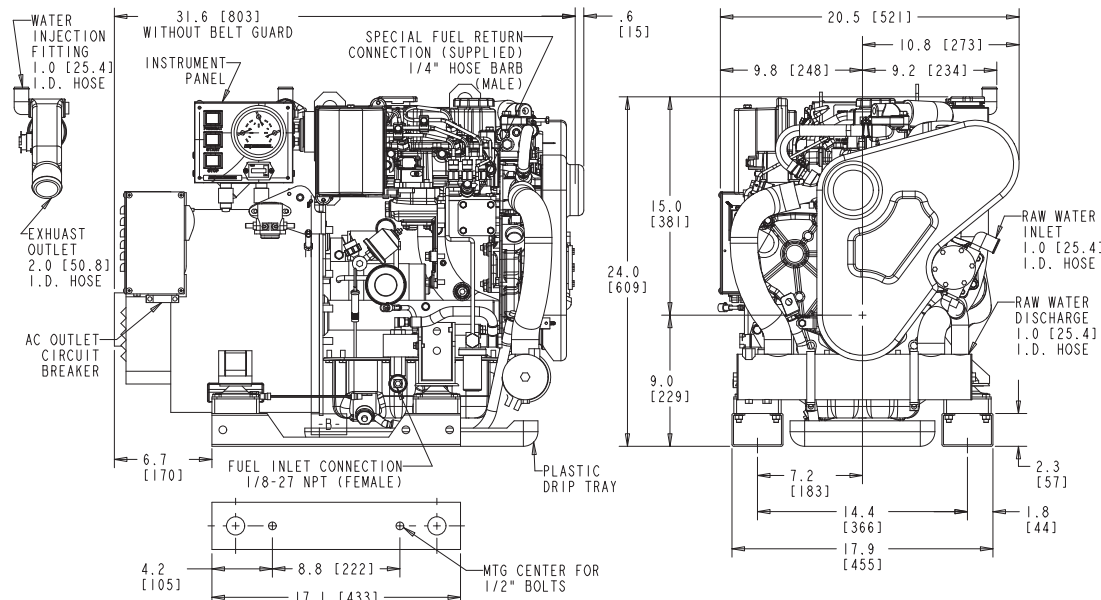
Cylinder head	Cast Iron
Cylinder block	Cast Iron
Crankshaft	Forged crankshaft, four main bearings
Valves	Overhead rotating type
Fuel System	Self-bleeding
Intake system	Tuned intake silencer for maximum noise reduction
Cooling system	Fresh water-cooled with shell and tube type heat exchanger
Exhaust manifold	Cast aluminum, fresh water-cooled

### Optional Equipment

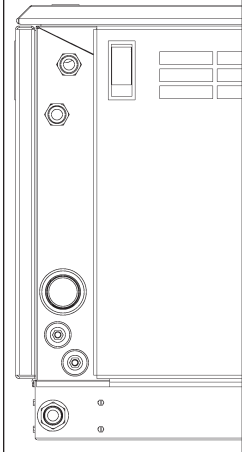
- Dual station instrument panel with senders
- Remote start/stop panel
- Remote lube oil filter kit
- Sound Guard SST
- Hydro-hush muffler and fittings
- Fuel/water separator
- Anti-siphon valve with 1 inch stainless steel loop
- Ship-to-shore switch
- Power take-off adapter
- "A" on board spare parts kit; "B" extended cruising spare parts kit
- Hose Kit
- Generator set available painted white upon request (standard red)

### Dimensions

Inches  
(millimeters)



Optional  
Sound Guard SST  
PN 49483



**SST**  
 Length: 36.1" (917mm)  
 Width: 23.2" (589mm)  
 Height: 25.3" (643mm)  
 Weight: 83 lbs. (37kg)